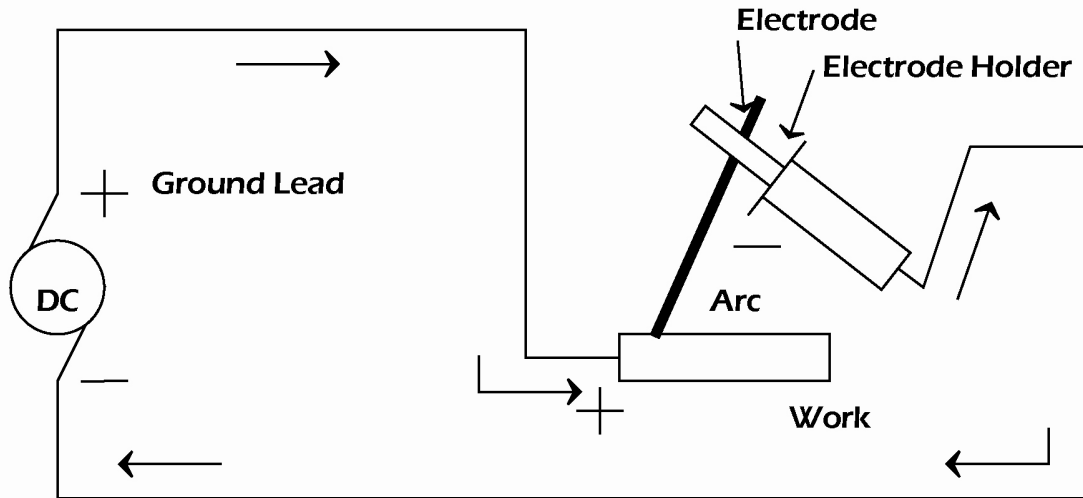
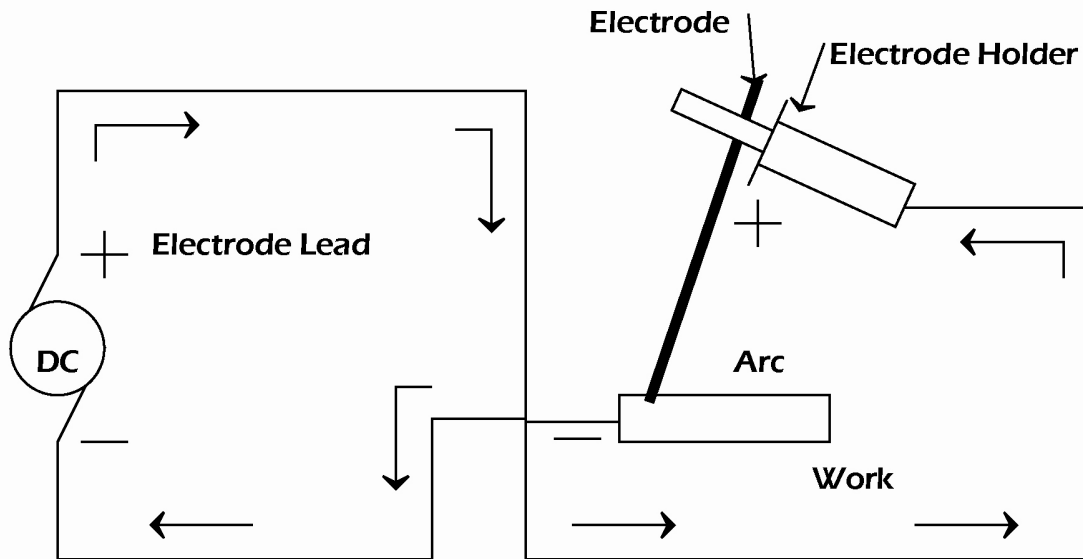




Cable Connections



Cable Connections for Straight Polarity



Cable Connections for Reverse Polarity

**Arrows indicate current flow